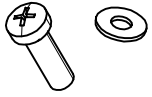


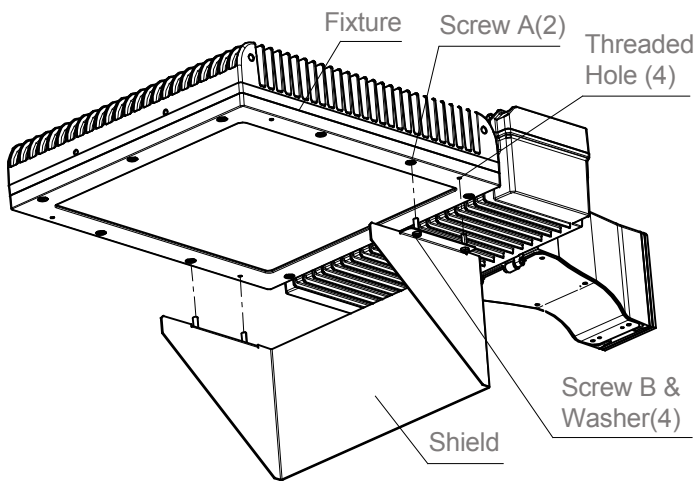
ACCESSORY PACK (shipped together)



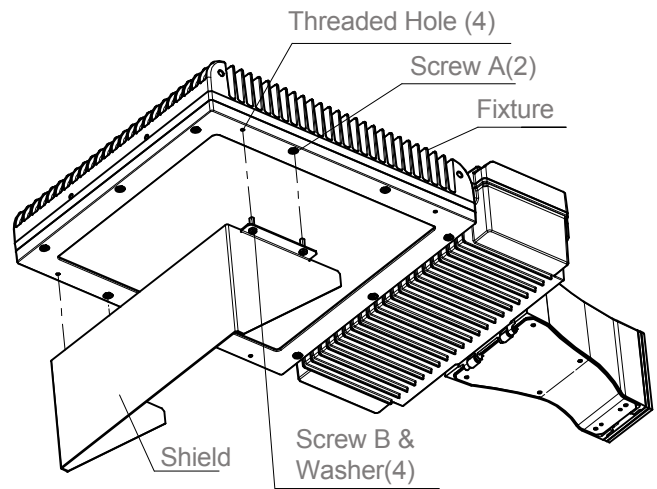
Screw B & Washer(5)

INSTALLATION INSTRUCTIONS

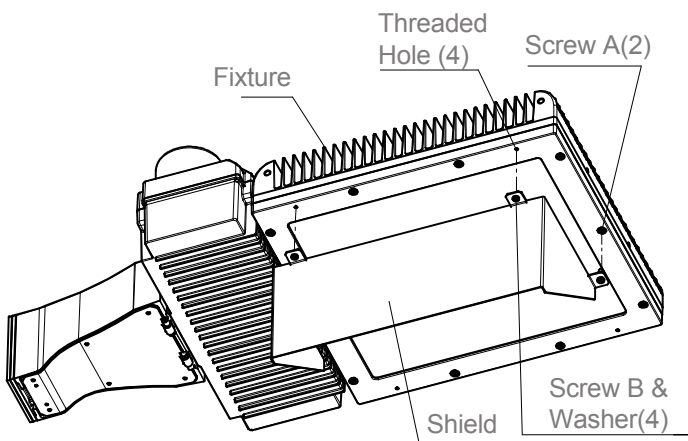
1. Check these accessories in the package. Make sure that there are (4) Threaded Holes on the front frame of fixture.
2. Remove (2) Screw A on the fixture frame. Fasten Shield to the fixture frame with (4) Screw B and Washer. Choose the right place to install according to the following drawings.



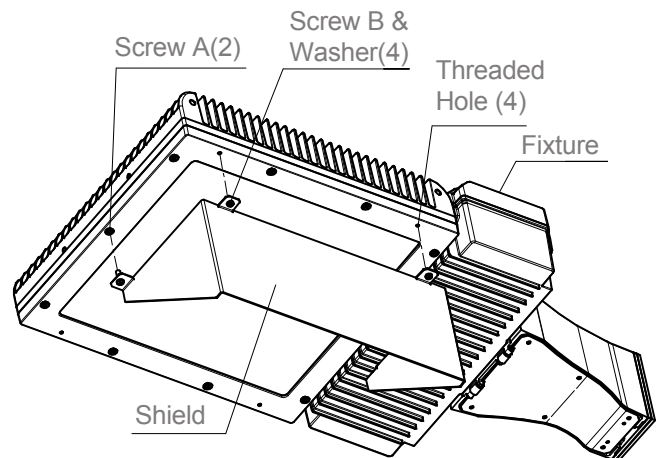
Rear Side Installation



Front Side Installation



Left Side Installation



Right Side Installation